

# 2x4 imagic<sup>2</sup><sup>®</sup> MAX E5008

## Product range

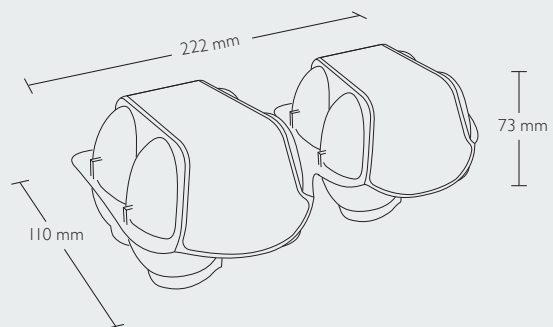


## Egg sizes

Our E5008 egg cell is constructed for weight classes L, XL

## Product dimensions (closed)

Width: 110 mm  
Height: 73 mm  
Length: 222 mm



## Colours

Standard colours

00 white

68 grass

08 green

## 2x4 imagic<sup>2</sup>® MAX E5008

### Average product weight

With label: 36.9 g

### Quantities

Pallet: 44A one way

Units per bundle: 64

Units per pallet: 4,928

### Machine settings

#### Moba Code: HA2404

Gripper Set No.: 900

Denester settings:

L	G	J	II	I2
17	6	35	11	38

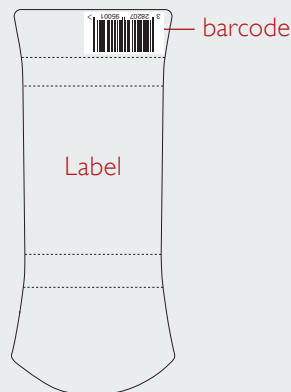
**Sanovo-Code (Staalkat): HA-0053, back plate 71334 for the denester is needed**

#### Disclaimer

Please consult MOBA and SANOVO for confirmation of the machine settings

### Decorations

Label:  
CMYK and up to 2 spot colours on request



Inlid print:  
I-colour black



Modules for labels and print areas can be downloaded at [www.hartmann-packaging.com](http://www.hartmann-packaging.com)

### Certification



### Certifications (optional)

