

# 1 x 8 imagic<sup>2</sup>® E4108

## Product range

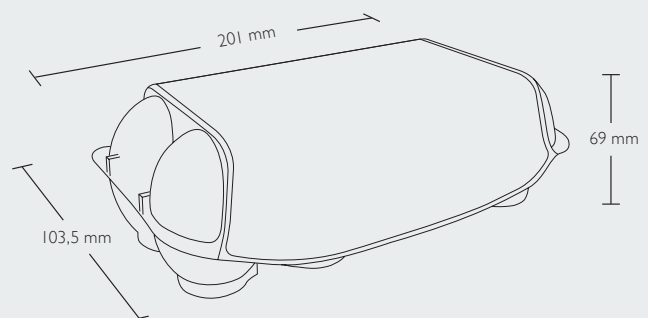


## Egg sizes

Our E4108 egg cell is constructed for weight classes S, M, L

## Product dimensions (closed)

Width: 103,5 mm  
Height: 69 mm  
Length: 201 mm



## Colours

Standard colours

00 white

51 sunflower

I x 8 imagic<sup>2</sup>® E4108**Average product weight**

With label: 34.2 g

**Quantities**

Pallet: 44 one way

Units per bundle: 68

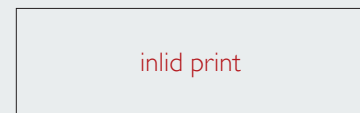
Units per pallet: 5,712

**Machine settings****Moba Code: HAI802**

Gripper Set No.: 900

Denester settings:

L	G	J	II	I2
15	I	10	13	36

**Sanovo Code (Staalkat): HA-0050, back plate 71334 for the denester is needed***Disclaimer**Please consult MOBA and SANOVO for confirmation of the machine settings***Decorations**Label:  
CMYK and up to 2 spot  
colours on requestInlid print:  
I-colour blackModules for labels and print areas can be downloaded at [www.hartmann-packaging.com](http://www.hartmann-packaging.com)**Certification****Certifications (optional)**