

1 x 10 imagic²® E4210

Product range

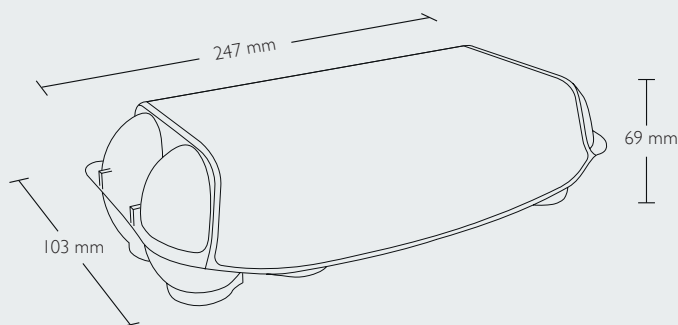


Egg sizes

Our E4210 egg cell is constructed for weight classes S, M, L

Product dimensions (closed)

Width: 103 mm
Height: 69 mm
Length: 247 mm



Colours

Standard colours



I x I0 imagic²® E4210

Average product weight

With label: 42.2 g

Quantities

Pallet:	44A one way	80 one way UK
Units per bundle:	67	70
Units per pallet:	4,690	5,600

Machine settings

Moba Code: HAI008

Gripper Set No.: 900

Denester settings:

L	G	J	II	I2
15	12	26	13	36

Sanovo Code (Staalkat): HA-0048, back plate 71334 for the denester is needed

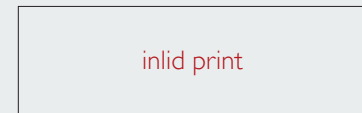
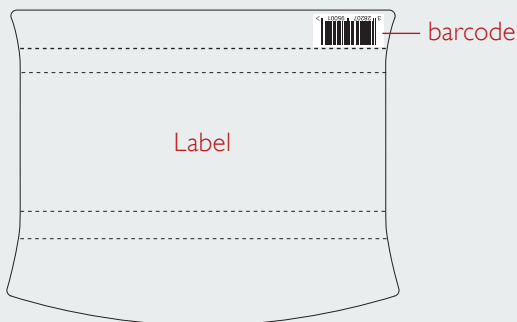
Disclaimer

Please consult MOBA and SANOVO for confirmation of the machine settings

Decorations

Label:
CMYK and up to 2 spot colours on request

Inlid print:
I-colour black



Modules for labels and print areas can be downloaded at www.hartmann-packaging.com

Certification



Certifications (optional)

