

1 x 10 imagic²® MAX E4410

Product range

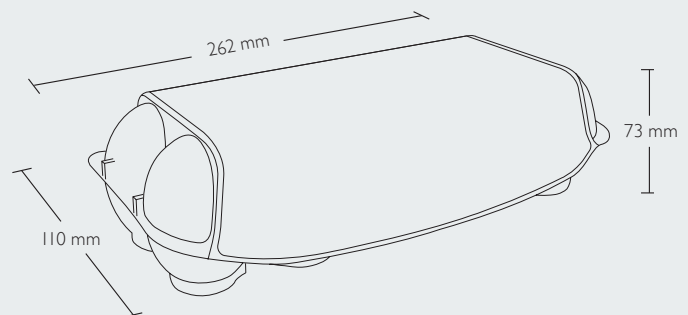


Egg sizes

Our E4410 egg cell is constructed for weight class XL (73–90 g)

Product dimensions (closed)

Width: 110 mm
Height: 73 mm
Length: 262 mm



Colours

Standard colours



I x I0 imagic²® MAX E44I0

Average product weight

With label: 48.0 g

Quantities

| | | |
|-------------------|-------------|--------------|
| Pallet: | 44A one way | 80one way UK |
| Units per bundle: | 65 | 70 |
| Units per pallet: | 4,095 | 5,040 |

Machine settings

Moba Code: HAI009

Gripper Set No.: 900

Denester settings:

| | | | | |
|----|----|----|----|----|
| L | G | J | II | I2 |
| 17 | 15 | 26 | 10 | 40 |

Sanovo Code (Staalkat): HA-0057 (identical with HA-041), back plate 7I334 for the denester is needed

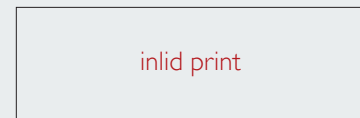
Disclaimer

Please consult MOBA and SANOVO for confirmation of the machine settings

Decorations

Label:
CMYK and up to 2 spot colours on request

Inlid print:
I-colour black



Modules for labels and print areas can be downloaded at www.hartmann-packaging.com

Certification



Certifications (optional)

