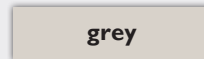


1x18 HartTop R8318

Product

Colors*

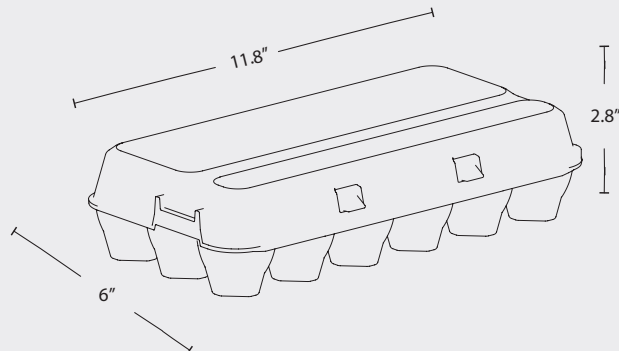
Standard color


Availability

 Direct print
Label

Egg Sizes

Our R8318 egg cell is constructed for weight classes S, M, L and XL.

Product Dimensions*


	Length	Width (open)	Height (open)	Width (closed)	Height (closed)
Millimeter-Measurements	300	338	69	152	71
Inches-Measurements	11.8	13.3	2.7	6.0	2.8

1x18 HartTop R8318

Average Dry Weight*

With direct print: 74 g 2.6 oz With label: 78.7 g 2.8 oz

Bundle Specs

Cartons: 100	Length	Width	Height	Direct print		Label	
Millimeter-Measurements	965	338	300	Bundle Weight		Bundle Weight	
Inches-Measurements	38	13.3	11.8	7.4 kg	16.3 lbs	7.6 kg	16.8 lbs

Machine Settings

Moba Code: HAI801

Gripper Set No.: 912

Denester Settings

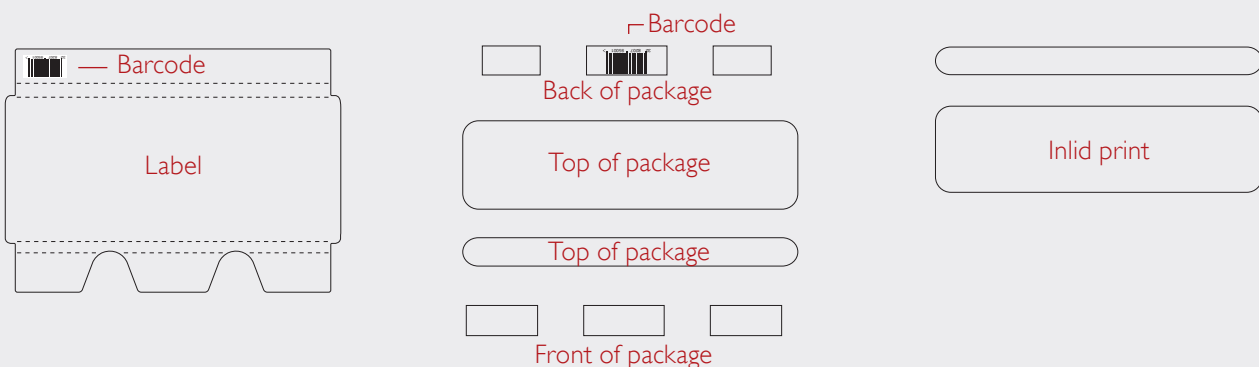
L	G	J	II	I2
40	24	8	14	37

Print Parameters

Label:
CMYK and up to 2 spot colours on request

Direct print:
Top: 4-colour
Front and rear: 2-colour

Inlid print:
1-colour black



Modules for labels and print areas can be downloaded at www.hartmann-packaging.com

*Colours, weights and dimensions of the products may differ due to the nature of the material, moist variations, production variations, storage and transport conditions.